

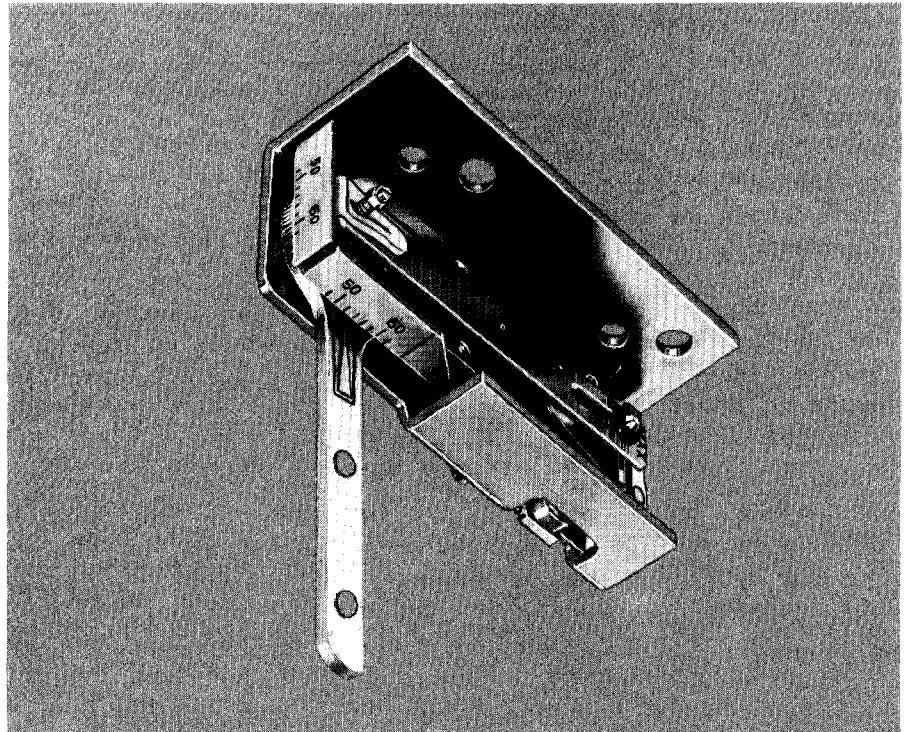
MODEL NUMBER TP975A & B

## General

The TP975 Diffuser Thermostats are used for proportional control of pneumatic valves and mixing boxes in one-pipe heating or air conditioning systems. Mounting is in one end of a slot or light troffer diffuser, or in return air grilles.

## Features

- Bimetal element.
- Two-way setpoint indicator for vertical or horizontal mounting.
- Sharp barb fitting for 5/32 tubing.
- Factory calibrated.



## Specifications

### MODELS

TP975A – Direct Acting (BLP increases on temp rise). TP975B – Reverse Acting (BLP decreases on temp rise).

### THERMOSTAT SETPOINT RANGE

67 to 83 F. Detents allow blind adjustment in 1 F increments.

### NORMAL MAIN LINE PRESSURE

18 psi (124 kPa).

### THROTTLING RANGE

Adjustable 2 to 10 F marks on sliding indicator.

### MAXIMUM SAFE AIR PRESSURE

30 psi (207 kPa).

### MAXIMUM SAFE TEMPERATURE

150 F (66 C).

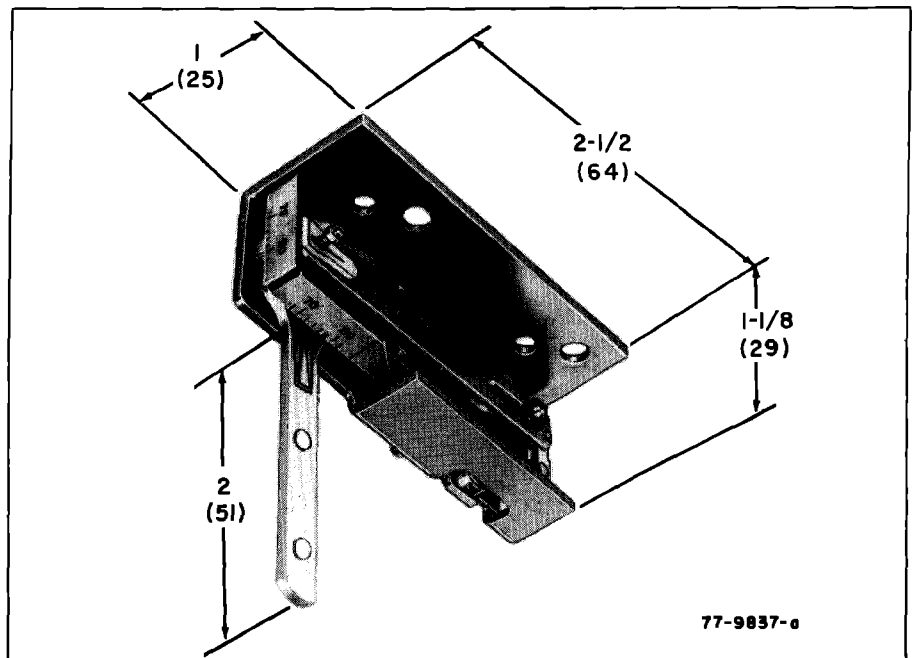


FIG. 1—TP975A APPROXIMATE DIMENSIONS IN INCHES (MILLIMETERS).

**AIR CONSUMPTION**  
.011 scfm.

**DIMENSIONS**  
See Fig. 1.

**FINISH**  
Cadmium plated.

**ADJUSTMENT MEANS**  
External two-way lever for mounting flexibility.

**MOUNTING**  
Horizontal or vertical. Setpoint lever may be flipped to either scale.

**ACCESSORIES (Order Separately)**  
.005 in. Filter Restriction Assembly, Part No. 14002913-001.

## Typical Operation

TP975A—A fall in temperature at the thermostat lowers the branch line pressure to the valve or mixing box in proportion to the existing load requirements.

TP975B—A rise in temperature at the thermostat lowers the branch line pressure to the valve, or mixing box, in proportion to the existing load requirements.

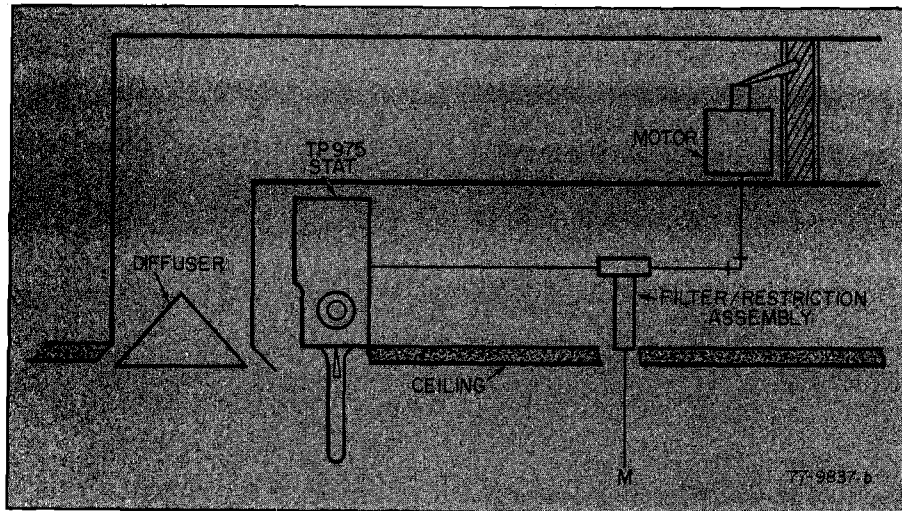


FIG. 2—TP975 TYPICAL OPERATION.